

WD Series

Water saved type scrubber with no pump needed



Sticky Dust / Hygroscopic Dust / Explosive Dust / Fire Hazard Dust
Water-soluble Gas

• No pump needed wet scrubber

- Strong Vortical Flow without Pumps in Special Structure.

• Maximum Collecting Efficiency

- Washing Dirty Gas with strong whirlpool and Collecting Polluted Material to Sludge Bin
- Washed Air moves up and Evacuate after removing Mist

• Easy and efficient Control

- Both Inlet usable from Special Structure
- Easy Maintenance with Wide Sight Glass

• FILTER / OPTION

- Auto Water Supply System
(Response to Evaporation 2cc/m³/min in Ambient Temperature)
- Hot Wire to prevent frozen to burst (Option)
- Hopper Type Available (Option)

• Digital Controller



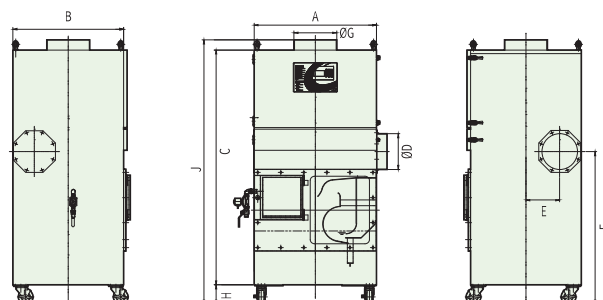
Differentiated Control Panel

- Digital Control Panel : Soft LED touch switch Type
- External Operation (Remote Mode, Link) : Terminal Block and One Touch Set-up
- Operation Status of real time current and voltage
- Error Indication (Short Voltage, Over current)

• TURBO BLOWER

The absorptive power has been increased using the turbo fan of high air volume and high wind pressure self-produced by super-precision press mold, and non-vibration and low noise are realized.

• STANDARD DIMENSION



SPECIFICATION

TYPE		WD-300	WD-500	WD-750	WD-1000	WD-1500
POWER		220V / 380V 3P 60Hz, 440V(Optional), 50Hz(Optional)				
BLOWER	CMM (m ³ /min)	40	65	80	100	150
	CONSTANT PRESSURE(mmHg)	230	230	250	250	250
	MOTOR(Kw)	2.2	3.7	5.5	3.7x2SET	5.5x2SET
CAPACITY OF WATER(L)		280	280	390	910	1,000
SIZE (mm)	A	850	850	910	1,720	1,700
	B	770	770	830	900	950
	C	1,630	1,630	1,945	1,900	2,150
	D(∅)	250	250	300	350	400
	E	235	235	240	225	258
	F	1,060	1,060	1,220	1,310	1,650
	G(∅)	300	300	350	400	450
	H	134	134	134	134	149
	J	1,759	1,809	2,172	2,244	2,189
	APPROX.WEIGHT(kg)		300	300	450	800

These specifications may be changed without notice in order to improve capability.