

Small Amount of VOC(Volatile Organic compounds), Fume, Odor Eliminator

USE

Laser Cutting, Marking, Soldering
Lab of Chemistry and Medicine, Research Institute,
Assembly Line of Electric and Electronic Parts



ZF/LC

FUME ODOR ELIMINATOR

CHARACTERISTIC

- Compact size of optimal design is suitable for small space.
- Adopted slide type is easy to change the filter.
- Long lasting and high efficiency is owing to combination of activated carbon fiber filter and granular activated carbon.
- Epoch—making extension of expected life of carbon filter is on account of triple filter structure, collecting minute dust.



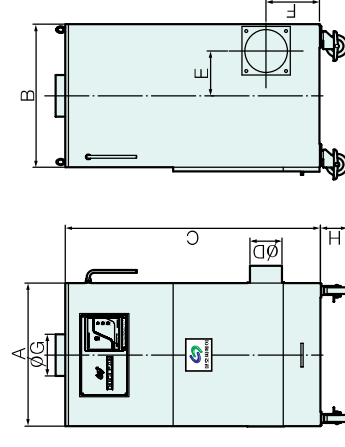
※ Registration of Design
(040756)



※ Registration of Design
(0399271)

TYPE	LC-50	LC-100	LC-200
POWER	220V IP 50Hz, 220/380/415/440 3P, 50Hz, 60Hz(OPTION)		
VOLUME OF WIND(m ³ /min)	0 6 10 0 7 13	0 20 35	
BLOWER CONSTANT PRESSURE(pa)	1.72 1.62 0.64 1.76 1.57 0.74	2.06 1.76 1.08	
MOTOR(KJ/s)	0.75		1.5
1st PRE FILTER	400 x 500 x 20	610 x 610 x 20	610 x 610 x 20
2nd FILTER	400 x 500 x 50 Cartridge	610 x 610 x 75 HEPA	610 x 610 x 150 HEPA
3rd CARBON FILTER	400 x 500 x 50H x 2	510 x 510 x 50H x 2	610 x 610 x 50H x 4
A (mm)	450	670	670
B (mm)	500	670	670
C (mm)	705	890	1190
SIZE			
ø D.(mm)	100	150	200
E (mm)	0	235	220
F (mm)	70	132	162
ø G.(mm)	100	290	290
H (mm)	68	128	128
APPROX. WEIGHT(Kg)	65	105	180

STANDARD DIMENSION



• This Specification is based on 60Hz motors & Clean Filters, • This Specification shall be changeable without notice in order to improve capability.