



# Powerful Absorption Force, Easy Moving, Convenient Structure for Workers

**USE**

ARC Welding, CO<sub>2</sub> Welding, MAG Welding, GOUGING, Special Welding Etc. Making FUME Work.

Freely moving to be fixed Flexible Arm (φ 150×2m/3m)

## WELDING FUME ELIMINATOR



Convenient to move

Compact size to use in a small area

### CHARACTERISTIC

**ARM**

Using unrestricted moving 'FLEXIBLE ARM', it can enhance health and efficiency of worker due to absorbing FUME from producing source.

**STRONG POWER OF ABSORPTION**

- Attached TURBO BLOWER for exclusive use of FUME.
- High safety in adoption of anti-overload circuit to prevent damage to MOTOR.

**CONTROL PANEL**

Compact and Easy to use in adoption of centralized intensive type built-in.

**SILENT OPERATING**

Minimized noise by regularly inducing and spreading air-flow of BLOWER to the exit of latticed shape.

**OPTION**

- TWO ARMs attached and STAND types are available according to condition of working.
- The option for strong elimination function of fume by activated carbon fiber filter is available. place from flying away by inducing the exit direction upward.
- The Compact body, easy to carry, doesn't need large space.

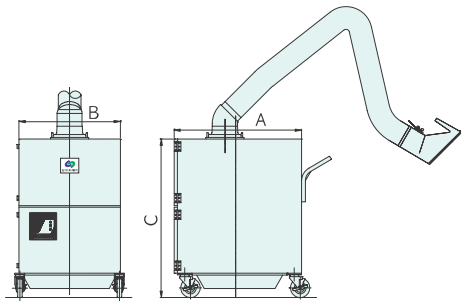
**MOBILITY**

Easy to carry due to large wheels and hand-carrier attached.



※Registration of Design (0399271)

## STANDARD DIMENSION



CO<sub>2</sub>/MAG Welding



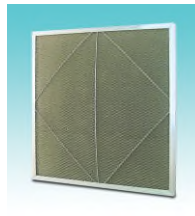
ARC Welding



GOUGING

## FUNCTION

### 1 FILTER



#### 1ST FILTER

• PANEL TYPE PRE FILTER filtrates flowing-in flame and thick particles with FUME GAS in welding.

• Washable and reusable FILTER of stainless filter media is economical.



#### 2ND FILTER

MEDIA TYPE FILTER uses highly pure filter media on the surface. It can perfectly collect harmful minute particles over 99.74% of 0.3mm paraticle-size(as HOT DOP TEST), and its filtering layers are thick and its tensile strength of MEDIA is so high that it can prevent decreasing collecting dust function. (Issued Testing Results of Filter for Fume Collector from FITI TESTING & RESEARCH INSTITUTE.)



#### 3RD FILTER(OPTION)

Activated carbon fiber filter is activator that consists of poly-crystal structured high molecular compound. It has high efficiency of absorption and strength, and doesn't make secondary pollution because of not easily weathering. It is highly acid-resistant and alkali-tolerant, and lasts long.

### 2 Way of Collecting Dust

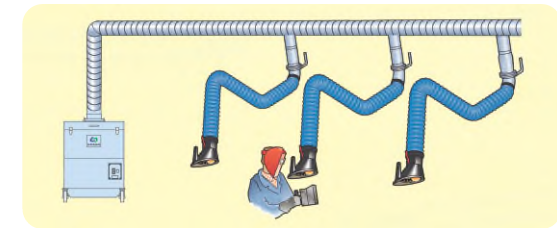


▲ Collected Fume

#### Way of Collecting Dust

According to the way of accumulating dust between Filter Media, you can draw out the filter and shake dust off to AIR or contrary direction.

### 3 Application of FUME COLLECTOR



Centralized Intensive Structure

## SPECIFICATION

TYPE		CHB-200			CHB-300			CHB-500		
DIMENSION	LENGTH(A)	770			790			840		
	WIDTH(B)	670			670			670		
	HIGHT	STANDARD(C)	955			995			1045	
With OPTION		1255			1295			1345		
FAN MOTOR	MOTOR(KJ/s)	1.5KJ/s × 2P			2.2KJ/s × 2P			4.0KJ/s × 2P		
	POWER	220V 1P, 220V/380V 3P 50Hz, 60Hz(OPTION)			220/380/415/440V 3p 50Hz, 60Hz(OPTION)					
FLEXIBLE ARM	LENGTH / QUANTITY	2m × 1 SET			3m × 1 SET			3m × 2 SET		
	DIAMETER				ø 150mm					
FILTER	FILTRATION EFFICIENCY				99.74%					
	FILTRATION SIZE				19.3m <sup>2</sup>					
	SHAPE				MEDIA TYPE CARTRIDGE					
TURBO FAN	VOLUME OF WIND(m <sup>3</sup> /min)	0	20	35	0	35	55	0	55	65
	CONSTANT PRESSURE(kPa)	2.06	1.76	1.08	2.06	1.86	1.18	2.45	2.25	1.47
APPROX. WEIGHT(INCLUDING FILTER, ARM)		ABOUT 70Kg			ABOUT 74Kg			ABOUT 83Kg		

● This Specification is based on 60HZ motors & Clean Filters, ● This Specification shall be changeable without notice in order to improve capability.