



Compact Structure for Use in A Small Space of the Factory

USE

Grinding, Bagging, Inputting Powder, Sandpapering, Severing, Drilling, Cutting, Mixing, Acryl Processing, Crashing, Cutting Cast Iron Ware



BAG FILTER TYPE DUST COLLECTOR

CHARACTERISTIC

TURBO BLOWER

Realized vibration-free and low-noise as increasing absorption power with decreasing idling weight and starting load on account of applying the domestic beginning of aluminum alloy, and as working with ultra-precision press mold and electronic balancing.



CONTROL PANEL

Enhanced acknowledgement quality owing to integration on-off switch and manometer by centralized intensive method.

MANOMETER(AUTOMATIC TYPE ATTACHED)

- Noticing the situation of filter in collecting dust.
- Noticing the time of shaking dust off and changing filter.

FILTER

- Available to collect minute dust due to large face of filter adopting rectangular plain surface.
- Possible to adopt various filters suitable for character of dust
- Easily changeable, compact one bodied type

DUST BOX

- Dust Box' under the Dust Collector is easy to collect dust as easily changeable sliding type.

TYPE OF SHAKING DUST OFF

- Automatic(M type): Silent and powerful Automatic Vibration built-in timer, if pushing the starting button, it would efficiently shake dust off soon and be free from damage of device by long time use.
- Manual(H type): Shake 'SHAKING HANDLE' to eliminate dust. This type shall be free from being out of order and economical.



BAG FILTER SET

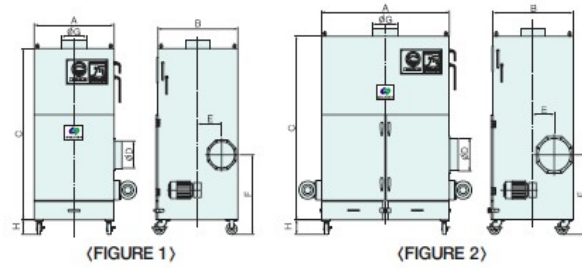


※Registration of Design (0399271)

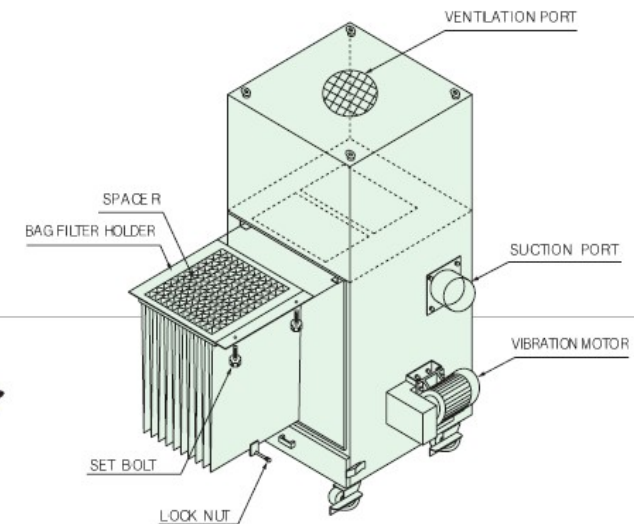


MS-50H

STANDARD DIMENSION



MS-500H/FA(2) (FLEXIBLE ARM ATTACHED)



SPECIFICATION

TYPE	MS-50	MS-100	MS-200	MS-300	MS-500	MS-750	MS-1000	MS-1500		
POWER	220V 1P, 220/380/415/440V 3P 50Hz, 60Hz(OPTION)				220/380/415/440V 3P 50Hz, 60Hz(OPTION)					
BLOWER	VOLUME OF WIND(m ³ /min)	0 6 10	0 7 13	0 20 35	0 35 55	0 55 65	0 70 120	0 90 130	0 130 180	
	CONSTANT PRESSURE(kPa)	1.72 1.62 0.64	1.76 1.57 0.74	2.06 1.76 1.08	2.06 1.86 1.18	2.45 2.25 1.47	2.65 2.25 1.47	2.75 2.25 1.57	2.75 2.35 1.57	
	MOTOR(KJ/s)	0.75		0.75	1.5	2.2	4.0	5.5	4.0 × 2SET	5.5 × 2SET
BAG FILTER	SIZE(W×L)	420 × 200		420 × 600		640 × 650				
	QUANTITY(POCKET)	8		7	14	15	20	30	40	50
	FILTRATION SIZE(m ²)	1.6		3.6	7.1	12.5	16.7	25	33	42.5
MATERIALS	POLYESTER WOVEN FABRIC									
SHAKING DUST OFF	MANUAL		MANUAL / MOTOR SHAKING							
SIZE	A (mm)	450		520	620	750	750	1200	1500	1900
	B (mm)	520		520	620	750	750	750	750	950
	C (mm)	755		1260	1350	1512	1557	1747	1587	1670
	φD(mm)	100		150	200	250	250	300	350	400
	E (mm)	185		165	190	225	225	200	175	255
	F (mm)	348		760	760	883	883	583	725	758.5
	φG(mm)	125		150	200	300	300	350	400	450
	H (mm)	68		128	128	128	128	160	160	160
SHAKING MOTOR(OPTION)	-		0.2KJ/s × 1SET				0.2KJ/s × 2SET			
CAPACITY OF DUST BOX(l)	9		16	23	65		100	130		
APPROX. WEIGHT(Kg)	50		100	135	180	190	320	380	450	
FIGURE	FIGURE 1					FIGURE 2				

● SHAKING UNIT of MS750-MS1500 is attached to each left and right side, ● FILTER of MS750-MS1500 consists of 2SETS, ● The weight is standardized on AUTOMATIC TYPE, ● The wire of power is four-string CAB DIA cable attached 3M, ● This Specification is based on 60Hz motors & Clean Filters, ● This Specification shall be changeable without notices in order to improve capability.

MS SERIES