



Air Pulse Jet Type Dust Explosion Safety Dust Collector



USE

Fume of Aluminum, Milk Powder
Aluminum Light Alloy, Starch, Titanium, Magnesium,
Cornstarch, Sulfur, Epoxy Resin, Absorption of Dust Coal

DUST EXPLOSION SAFETY DUST COLLECTOR



CHARACTERISTIC

STRUCTURE OF MINIMIZED CAUSE FOR DUST EXPLOSION

APD SERIES adopts anti-static cartridge filter and detached solenoid enclosure. It is an anti-dust explosive safe dust collector that can fall off dust with AIR PULSE, and prevent making flame in dust collector by anti-dust explosive MOTOR, exterior airtight anti-dust explosive electric equipment box.

ANTI-DUST ELECTRIC EQUIPMENT BOX

Leakage of flame is prevented with SEAL PACKING

ANTI-BACKFIRE VALVE

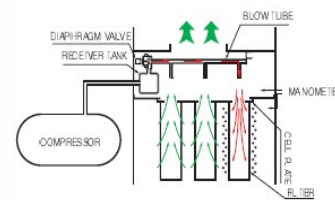
In case of dust explosion in dust collector, preventing fire from diffusing into DUCT, it can protect workers from fire storm.

ANTI-STORM DIFFUSIVE HOLE

In case of dust explosion in dust collector, power of explosion may burst the main body of dust collector, and it may cost many lives.

So APD SERIES can minimize the damage, absorbing energy of explosion and then inducing and discharging it backward and upward.

FILTER CLEANING

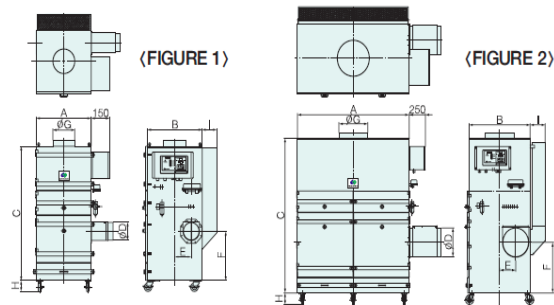


※ Anti-dust explosion Safe Type Dust Collector has a structure of minimized cause for dust explosion, and cannot perfectly prevent dust explosion, Strictly prohibit flame and source of fire from the outside.



APD-300 / PCI 30 / PRE 40

STANDARD DIMENSION

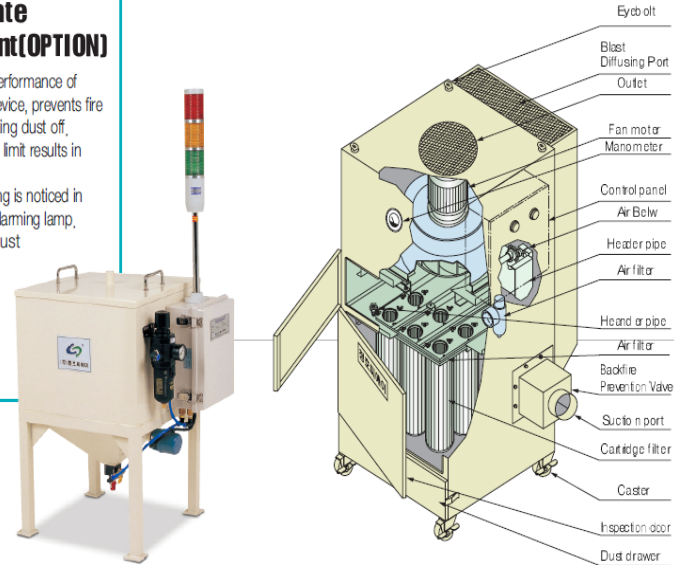


- ▶ Flame-proof specification (Standard type : MOTOR-E₃ control box dust-proof structure)
MOTOR:E₃, D₂G(OPTION) / CONTROL BOX : dust-proof structure, D₂G(OPTION)
- ▶ Filter contamination confirmation device : Analog type manometer
- ▶ Please connect to the grounding conductor on the first power source for prevention of electrification,
- ▶ After cleaning dust box, connect to the grounding conductor. There might be a explosion from static electricity occurred.
- ▶ Operate the machine after checking connection to the grounding conductor when filter replacement
- ▶ Use applying an electric current material for dust and connect every 5 meter to the ground conductor,
- ▶ Install where it is flat and no rain or moisture exposed,
- ▶ Keep warm to avoid dew from temperature differences,

Calcium Carbonate Supply Equipment(OPTION)

- Supplying equipment as high performance of collecting and manufacturing device, prevents fire and increases efficiency of shaking dust off,
- Space of establishment without limit results in possibility of long distant input,
- Lack of collecting- manufacturing is noticed in advance with level gauge and alarming lamp,
- Operating connected with dust collector is available
- In case of flame flowing-in directly, equip PRE DUSTER (flame sinking set).
- Applying work that makes FUME.

PCI-30



APD SERIES

SPECIFICATION

TYPE	APD-100	APD-200	APD-300	APD-500	APD-750	APD-1000	APD-1500	APD-2000	APD-3000	
POWER	220V 1P, 220/380/415/440 3P 50Hz, 60Hz(OPTION)		220/380/415/440V 3P 50Hz, 60Hz(OPTION)							
MOTOR(KJ/s)	0.75	1.5	2.2	4	5.5	4.0×2	5.5×2	7.5×2	11×2	
VOLUME OF WIND(m ³ /min)	0 7 13	0 20 35	0 35 55 0 55 65	0 55 65	0 70 120	0 90 130	0 130 180	0 200 250	0 280 330	
CONSTANT PRESSURE(kPa)	1.76 1.58 0.74	2.06 1.76 1.08	2.06 1.86 1.18 2.45 2.25 1.47	2.65 2.25 1.47 2.75 2.25 1.57	2.75 2.35 1.57	2.75 2.45 1.76 2.75 2.45 1.86				
CARTRIDGE FILTER	SIZE(W×L×P)		ø 145×500L×75P				ø 145×800L×75P		ø 165×800L×65P	
	QUANTITY(POCKET)		4	6	9	12	18	24	32	
	FILTRATION SIZE(m ²)		7.5	11.25	16.87	22.5	33.75	45	100	133.2
	FILTRATION Speed(m/min)		0 0.9 17	0 1.8 3.1	0 2 3.3	0 2.4 2.9	0 2 3.6	0 2 2.9	0 1.8 2.5	0 2 2.5
MATERIALS		POLYESTER								
SHAKING DUST OFF		TYPE OF AUTO AIR PULSE								
NUMBER OF SOLENOID	2	3	4	6	8					
AIR CONSUMPTION(N l /min)		20	35	40	60	80	100			
SIZE	A (mm)	520	620	750	850	1290	1720	1720	1950	2010
	B (mm)	520	620	750	750	900	900	950	1000	1250
	C (mm)	1410	1570	1635	1735	1830	1760	2090	2140	2270
	ø D(mm)	150	200	250	250	300	350	400	500	600
	E (mm)	165	190	225	225	275	250	250	230	305
	F (mm)	628	698	728	728	735	710	700	875	875
	ø G(mm)	150	200	300	300	350	400	450	550	650
	H (mm)	128	128	128	128	160	160	160	160	160
	I (mm)	150	150	200	200	200	200	200	250	250
CAPACITY OF DUST BOX(l)	16	45	65	80	100	130		170		
APPROX. WEIGHT(Kg)	180	240	350	430	560	650	820	1,200	1,650	
FIGURE	FIGURE 1					FIGURE 2				

● This Specification is based on 60Hz motors & Clean Filters. ● This Specification shall be changeable without notice in order to improve capability.